

TOP MULTI-EVO

Submersible multi-stage pumps

-  Clean water
-  Domestic use
-  Civil use



TOP MULTI 1-EVO



TOP MULTI 2-EVO
TOP MULTI 3-EVO

PERFORMANCE RANGE

- Flow rate up to **120 l/min** (7.2 m³/h)
- Head up to **40 m**

APPLICATION LIMITS

- Immersion depth:
 - up to **3 m** for TOP MULTI 1-EVO
 - up to **10 m** for TOP MULTI 2-3 EVO (with a sufficiently long power cable)
- Maximum liquid temperature **+40 °C**
- Suction level:
 - **25 mm** above ground level for TOP MULTI 1-EVO
 - **35 mm** above ground level for TOP MULTI 2-3 EVO
- Manometric suction lift up to **7 m**
- Continuous service **S1**

CONSTRUCTION AND SAFETY STANDARDS

- Complete with:
- **10 m** long power cable
 - float switch
 - hose connector Ø 35 mm
 - complete connector with flap-check valve

EN 60335-1
IEC 60335-1
CEI 61-150

EN 60034-1
IEC 60034-1
CEI 2-3



CERTIFICATIONS

Company with management system certified DNV
ISO 9001: QUALITY



PATENTS - TRADE MARKS - MODELS

- TOP MULTI® Registered Trade Mark n. 0001334477

INSTALLATION AND USE

TOP MULTI-EVO pumps are recommended for pumping **clean water** and liquids that are not chemically aggressive for the materials from which the pump is made. Because of their high efficiency and reliability they are suitable for use in applications such as domestic water supply from reservoirs, tanks or relatively deep wells, for drawing rain water from cisterns to water gardens or for use in irrigation systems, etc.

OPTIONS AVAILABLE ON REQUEST

- Pumps without float switch
- Other voltages or 60 Hz frequency
- **KGE - Floating suction kit**



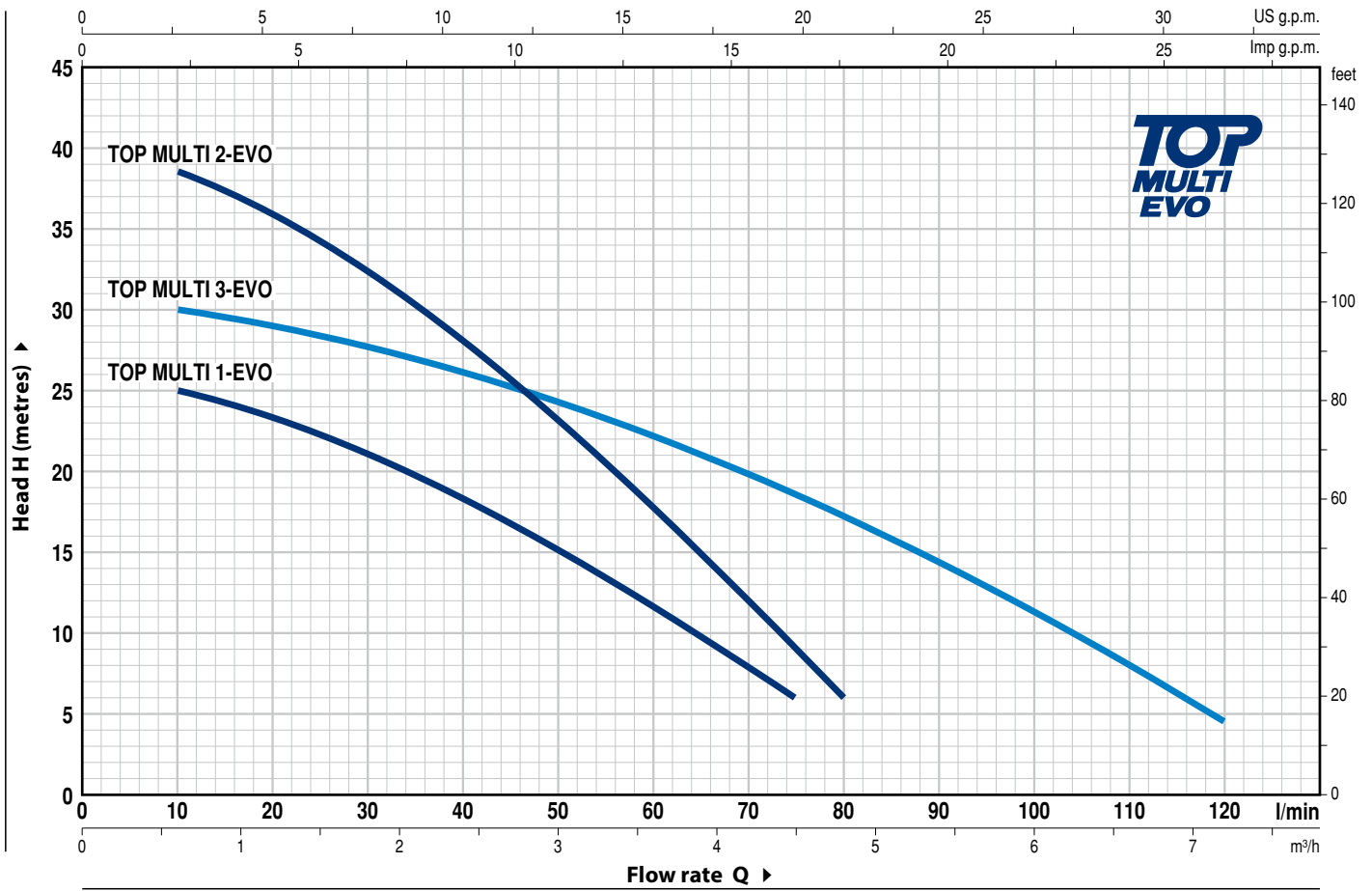
Kit includes:

- 1.5 metre long PVC hose (Ø 30 mm)
- stainless steel suction filter
- polyethylene spherical float
- flexible hose fittings Ø 30 mm

TOP MULTI-EVO with KGE kit for aspiration at about 10 cm below the water surface, preventing the suction of any floating waste or sediment on the bottom of the tank thus avoiding any damage to the pump.

CHARACTERISTIC CURVES AND PERFORMANCE DATA

50 Hz n= 2900 min⁻¹

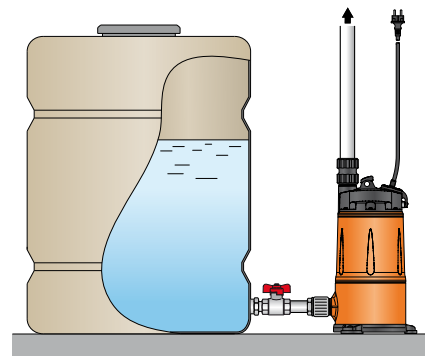
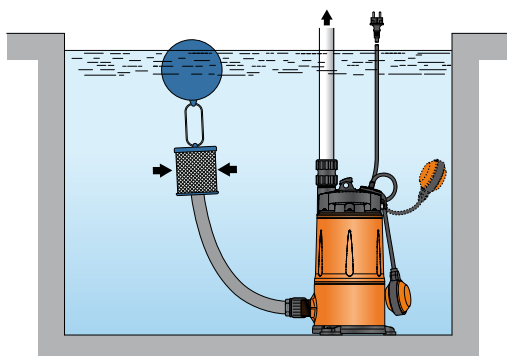


MODEL Single-phase	POWER (P ₂)		Q	Flow rate																
	kW	HP		m ³ /h	0	0.6	1.2	1.8	2.4	3	3.6	4.2	4.5	4.8	5.4	6.0	6.6	7.2		
			l/min	0	10	20	30	40	50	60	70	75	80	90	100	110	120			
TOP MULTI 1-EVO	0.37	0.50	H metres	26	25	23.3	21.1	18.3	15.1	11.6	7.9	6								
TOP MULTI 2-EVO	0.55	0.75	H metres	40	38.5	36	32.5	28	23.1	17.7	12	9	6							
TOP MULTI 3-EVO	0.55	0.75	H metres	30.5	30	29	27.5	26	24.3	22.2	19.8	18.5	17.2	14.4	11.3	8	4.5			

Q = Flow rate H = Total manometric head

Tolerance of characteristic curves in compliance with EN ISO 9906 Grade 3B.

TYPICAL INSTALLATION



TOP MULTI 1-EVO

POS. COMPONENT

CONSTRUCTION CHARACTERISTICS

1	SUCTION BODY AND DELIVERY BODY	Glass fibre reinforced technopolymer complete with threaded delivery PORTS in compliance with ISO 228/1				
2	BASE	Glass fibre reinforced technopolymer				
3	STAGE CASING	Glass fibre reinforced technopolymer				
4	IMPELLERS	Noryl				
5	DIFFUSER AND STAGE BOXES	Noryl complete with anti-wear ring				
6	MOTOR CASING	Stainless steel AISI 304				
7	MOTOR CASING PLATE	Stainless steel AISI 304				
8	MOTOR SHAFT	Stainless steel AISI 431				
9	SHAFT WITH DOUBLE SEAL AND OIL CHAMBER					
	Seal	Shaft	Materials			
	Model	Diameter	Stationary ring	Rotational ring	Elastomer	Metals
	STA-12R	Ø 12 mm	Ceramic	Graphite	NBR	AISI 304

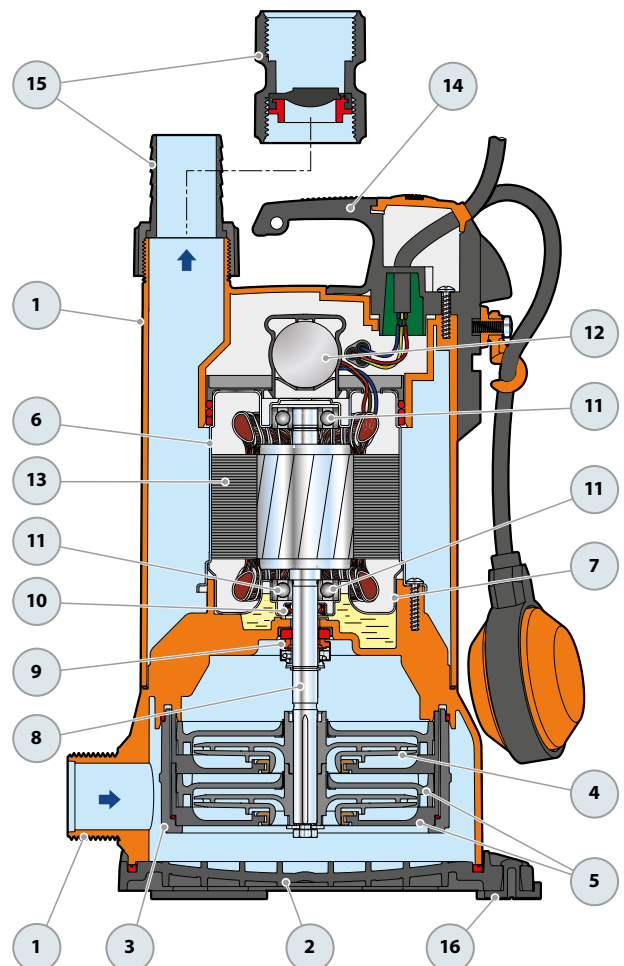
10	LIP SEAL	Ø 12 x Ø 19 x H 5 mm
11	BEARINGS	6201 ZZ - C3E / 6201 ZZ - C3E
12	CAPACITOR	
	Capacitance	
	(230 V or 240 V)	(110 V)
	10 µF 450 VL	16 µF 250 VL

13	ELECTRIC MOTOR
	TOP MULTI 1-EVO: single-phase 230 V - 50 Hz with thermal overload protector incorporated into the winding.
	– Insulation: class F
	– Protection: IP X8

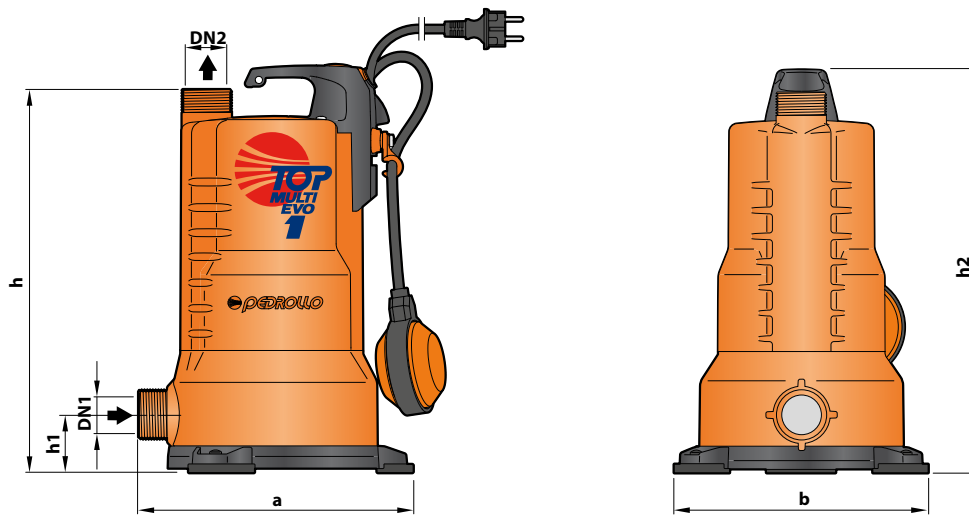
14	HANDLE ASSEMBLY (resin sealed)
	Complete with:
	– 10 metres long "H07 RN-F" power cable with Schuko plug
	– Float switch

15	HOSE CONNECTOR WITH RING NUT
	Ø 35 mm hose connection
	PIPE COUPLING
	Threaded 1¼" in compliance with ISO 228/1, complete with flap-check valve
	(Included in the equipment)

16	ANTI-VIBRATION FEET
----	----------------------------



DIMENSIONS AND WEIGHT



MODEL	PORTS		N. STAGES	DIMENSIONS mm					kg
	DN1	DN2		a	b	h	h1	h2	
Single-phase									
TOP MULTI 1-EVO	1¼"	1¼"	2	227	210	317	49	337	7.1

ABSORPTION

MODEL	VOLTAGE		
	230 V	240 V	110 V
Single-phase			
TOP MULTI 1-EVO	2.0 A	1.9 A	4.0 A

PALLETIZATION

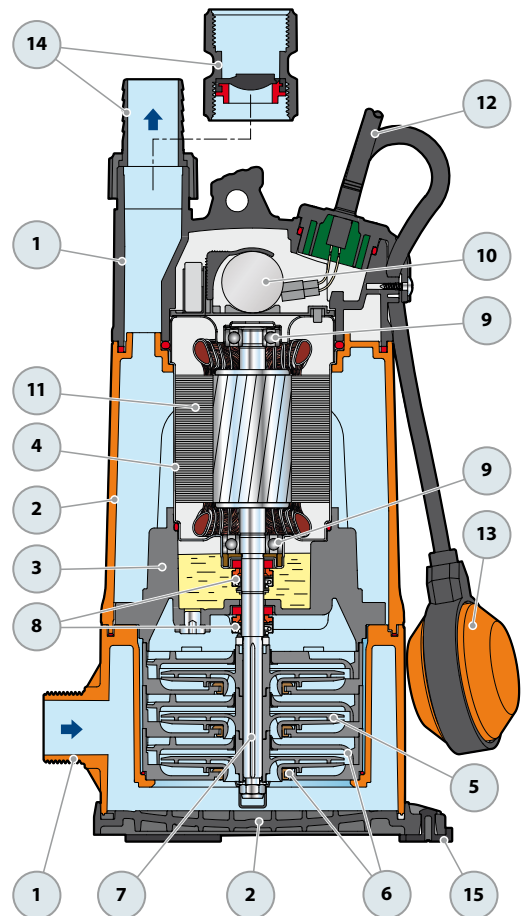
MODEL	GROUPAGE	CONTAINER
Single-phase		
TOP MULTI 1-EVO	45	60

TOP MULTI 2-3 EVO

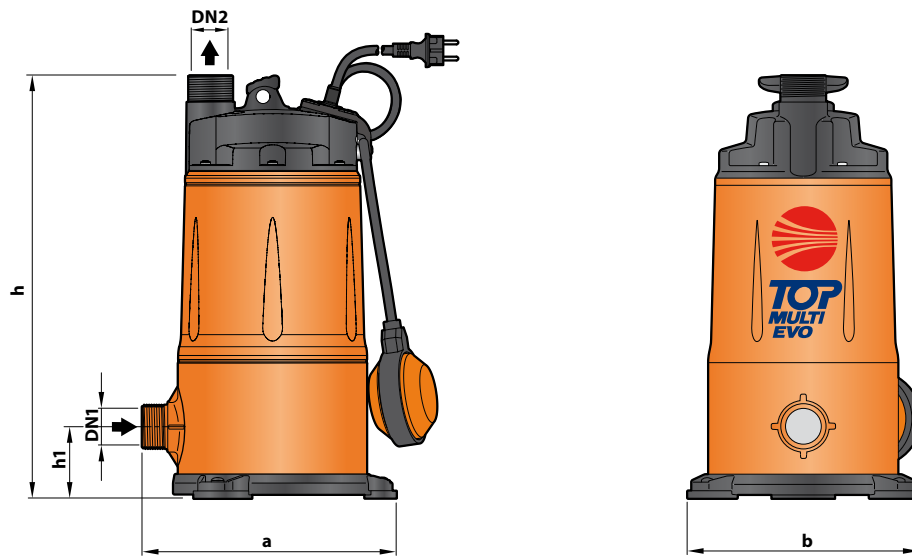
POS. COMPONENT

CONSTRUCTION CHARACTERISTICS

1	SUCTION BODY AND DELIVERY BODY	Glass fibre reinforced technopolymer complete with threaded delivery PORTS in compliance with ISO 228/1				
2	PUMP BODY AND BASE	Glass fibre reinforced technopolymer				
3	VANE DIFFUSER	Glass fibre reinforced technopolymer				
4	MOTOR SLEEVE	Stainless steel AISI 304				
5	IMPELLERS	Noryl				
6	DIFFUSER AND STAGE BOXES	Noryl complete with anti-wear ring				
7	MOTOR SHAFT	Stainless steel AISI 431				
8	TWO MECHANICAL SEALS SEPARATED BY AN OIL CHAMBER					
	Seal	Shaft	Position	Materials		
	<i>Model</i>	<i>Diameter</i>		<i>Stationary ring</i>	<i>Rotational ring</i>	<i>Elastomer</i>
	STA-13R	Ø 13 mm	Motor side	Ceramic	Graphite	NBR
	STA-12R SG	Ø 12 mm	Pump side	Silicon carbide	Graphite	NBR
9	BEARINGS	6202 ZZ - C3 / 6201 ZZ				
10	CAPACITOR					
	Capacitance					
	<i>(230 V or 240 V)</i>	<i>(110 V)</i>				
	12.5 µF 450 VL	30 µF 250 VL				
11	ELECTRIC MOTOR					
	TOP MULTI-EVO: single-phase 230 V - 50 Hz with thermal overload protector incorporated into the winding.					
	– Insulation: class F					
	– Protection: IP X8					
12	POWER CABLE					
	"H07 RN-F" with Schuko plug					
	Standard length 10 metres					
13	FLOAT SWITCH					
14	HOSE CONNECTOR WITH RING NUT	Ø 35 mm hose connection				
	PIPE COUPLING	Threaded 1¼" in compliance with ISO 228/1, complete with flap-check valve				
	(Included in the equipment)					
15	ANTI-VIBRATION SUPPORTS					



DIMENSIONS AND WEIGHT



MODEL	PORTS		N. STAGES	DIMENSIONS mm				kg
	DN1	DN2		a	b	h	h1	
Single-phase								
TOP MULTI 2-EVO	1¼"	1¼"	3	239	216	394	68	9.8
TOP MULTI 3-EVO								9.9

ABSORPTION

MODEL	VOLTAGE		
	230 V	240 V	110V
Single-phase			
TOP MULTI 2-EVO	3.4 A	3.3 A	6.8 A
TOP MULTI 3-EVO	3.6 A	3.4 A	7.2 A

PALLETIZATION

MODEL	GROUPAGE	CONTAINER
Single-phase	n. pumps	n. pumps
TOP MULTI 2-EVO	45	60
TOP MULTI 3-EVO	45	60