

DAVIS

4" submersible pump with peripheral impeller

 Clean water

 Domestic use

 Agricultural use



PERFORMANCE RANGE

- Flow rate up to **50 l/min** (3.0 m³/h)
- Head up to **75 m**

APPLICATION LIMITS

- Maximum liquid temperature **+40 °C**
- Maximum immersion depth of **40 m** with a sufficiently long power cable
- Vertical and horizontal installation
- Continuous service **S1**

CONSTRUCTION AND SAFETY STANDARDS

EN 60335-1
IEC 60335-1
CEI 61-150

EN 60034-1
IEC 60034-1
CEI 2-3



CERTIFICATIONS

Company with management system certified DNV
ISO 9001: QUALITY



INSTALLATION AND USE

Suitable for use with **clean water that does not contain abrasive particles** and with liquids that are not chemically aggressive towards the materials from which the pump is made.

Because of their compact design and economy, they are suitable for domestic applications such as the distribution of water in combination with small pressure tanks and for irrigation, etc.

PATENTS - TRADE MARKS - MODELS

- Patent n. EP2300717 - EP2419642
- DAVIS® Trade Mark n. 0001552668

OPTIONS AVAILABLE ON REQUEST

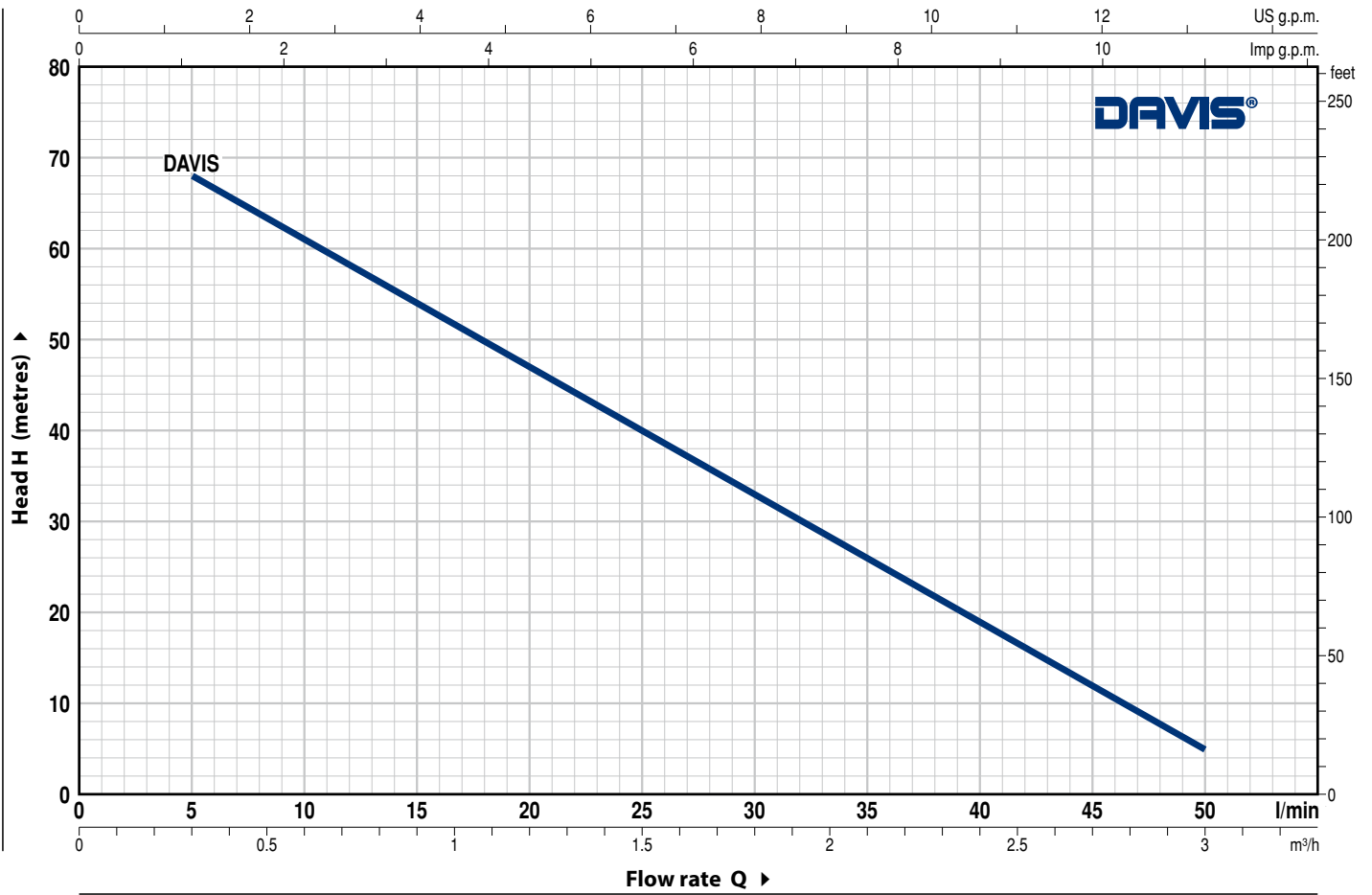
- **30 metres long power cable**
- Other voltages or 60 Hz frequency

➡ **Ready to install, stainless steel monoblock submersible pump.**

**Complete with: – motor with built-in capacitor and thermal overload protector
– 20 m long power cable.**

CHARACTERISTIC CURVES AND PERFORMANCE DATA

50 Hz n= 2900 min⁻¹



MODEL	POWER (P ₂)		Q	0	0.3	0.6	0.9	1.2	1.5	1.8	2.1	2.4	2.7	3.0
	kW	HP		0	5	10	15	20	25	30	35	40	45	50
Single-phase														
DAVIS®	0.75	1	H metres	75	68	61	54	47	40	33	26	19	12	5

Q = Flow rate H = Total manometric head

Tolerance of characteristic curves in compliance with EN ISO 9906 Grade 3B.

POS. COMPONENT

CONSTRUCTION CHARACTERISTICS

1	DELIVERY BODY	Stainless steel AISI 304 complete with threaded delivery port in compliance with ISO 228/1
2	PUMP BODY BACK PLATE	Brass
3	IMPELLER	Brass with peripheral radial vanes
4	MOTOR SLEEVE	Stainless steel AISI 304
5	MOTOR SHAFT	Stainless steel AISI 431

6 TWO MECHANICAL SEALS SEPARATED BY AN OIL CHAMBER

Seal Model	Shaft Diameter	Position	Materials		
			Stationary ring	Rotational ring	Elastomer
AR-14	Ø 14 mm	Motor side	Ceramic	Graphite	NBR
ST1-14 SIC	Ø 14 mm	Pump side	Ceramic	Silicon carbide	NBR

7 BEARINGS 6203 ZZ - C3E / 6203 ZZ - C3E

8 CAPACITOR

Capacitance

(230 V or 240 V)	(110 V)
31.5 µF - 500 VL	70 µF - 250 VL

9 ELECTRIC MOTOR

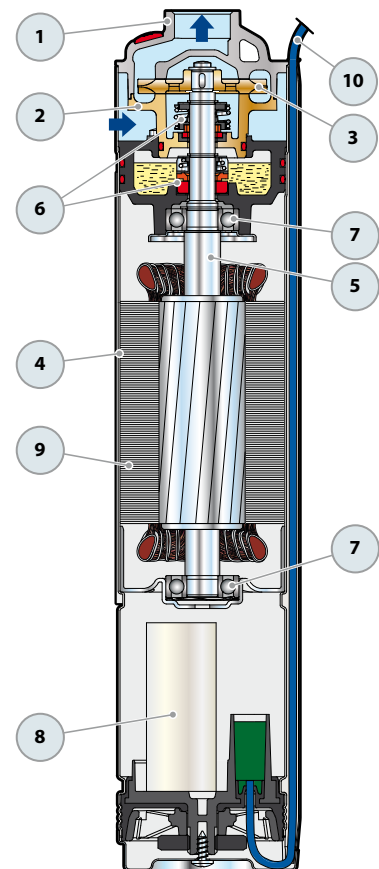
Submersible PEDROLLO motor, suitable for continuous duty (with dry, rewindable stator).

DAVIS®: single-phase 230 V - 50 Hz
 Motor with built-in capacitor.
 Thermal overload protector incorporated into the winding.

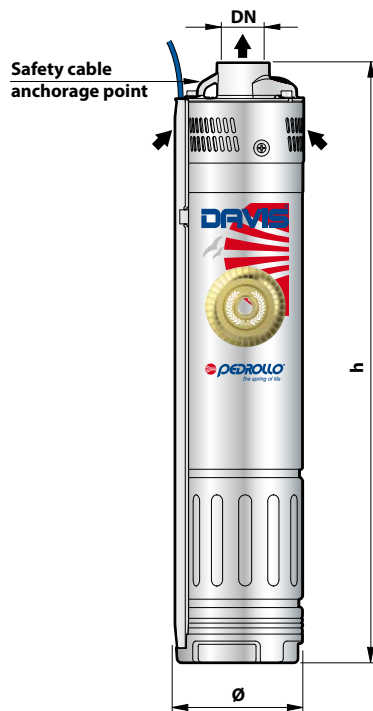
- Insulation: class F
- Protection: IP X8

10 POWER CABLE

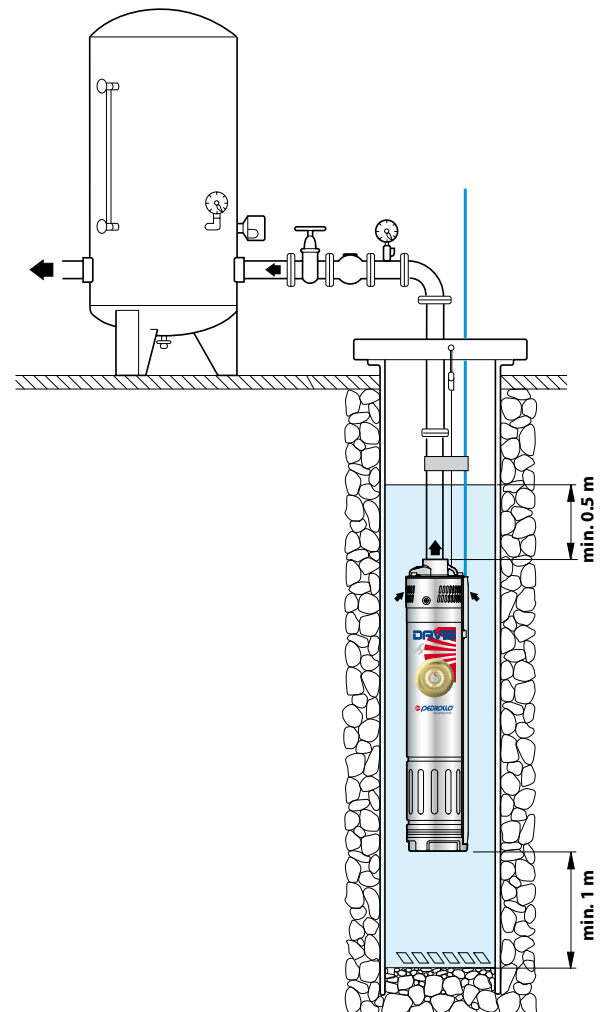
- ⇒ **PBS-P type approved for use in drinking water by "ACS" in compliance with BS 6920, approval . 04 ACCLI 201 Standard length 20 metres**



DIMENSIONS AND WEIGHT



Standard installation



MODEL	PORT	DIMENSIONS mm		kg
		Ø	h	
Single-phase	DN			
DAVIS®	1"	101	470	12.6

ABSORPTION

MODEL	VOLTAGE		
	230 V	240 V	110 V
Single-phase			
DAVIS®	5.7 A	5.5 A	11.4 A

PALLETIZATION

MODEL	GROUPAGE	CONTAINER
Single-phase	n. pumps	n. pumps
DAVIS®	60	60